

Southeast Pre-function

Boston Convention & Exhibition Center ROOM 054

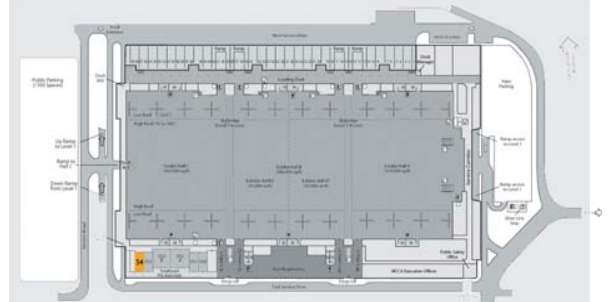
Theatre Seating: 208

Length: 58'

Width: 28'

Area (sq ft): 1,624

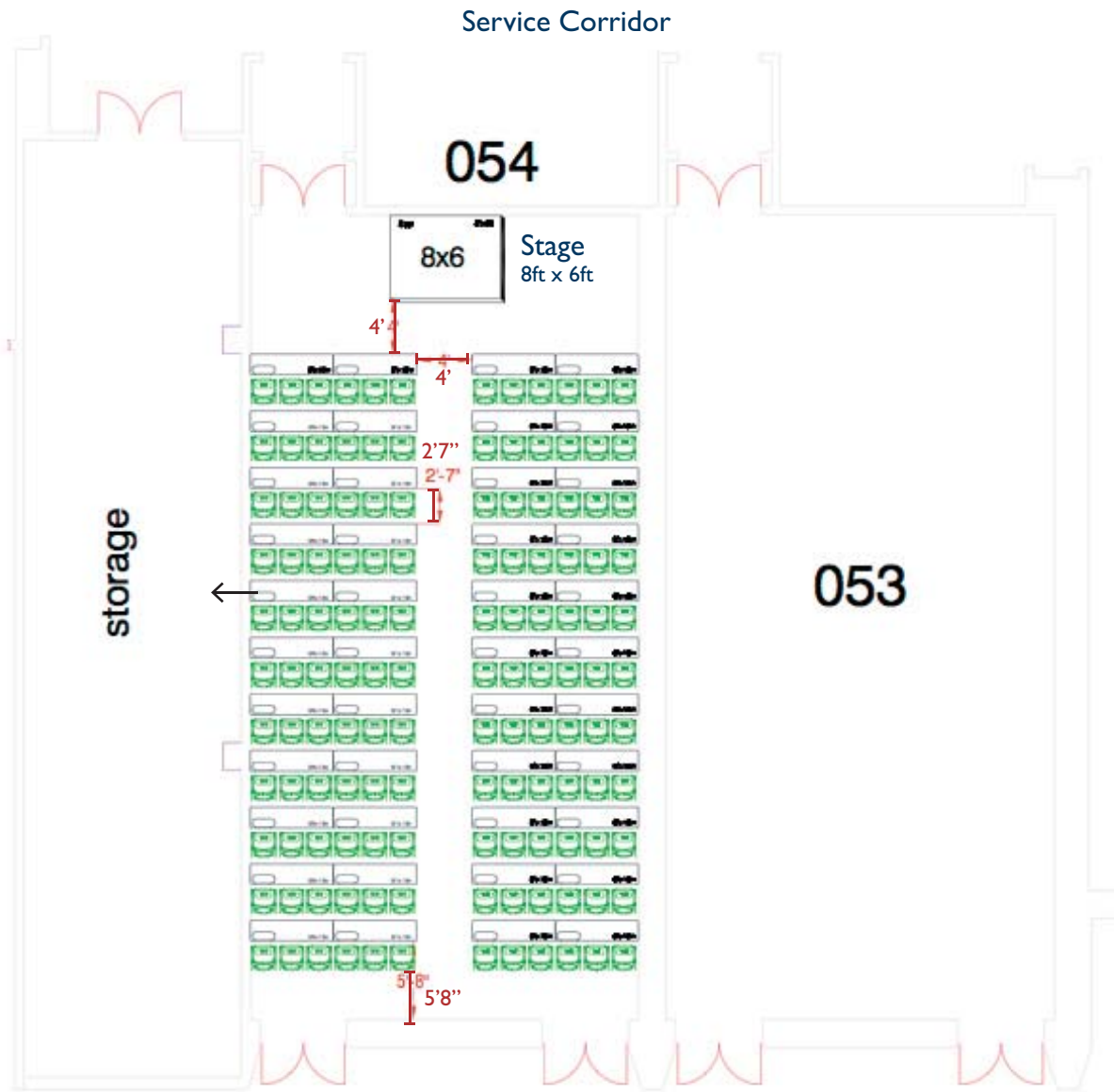
Ceiling Height: 15'6"/18'



Location within the
Boston Convention & Exhibition Center



Boston Convention & Exhibition Center
ROOM 054



Classroom Seating: 132

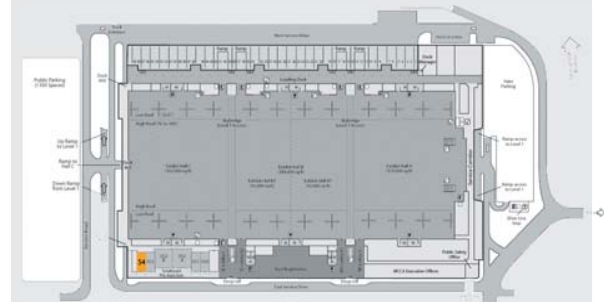
Length: 58'

Width: 28'

Area (sq ft): 1,624

Ceiling Height: 15'6"/>18'

Tables: 44 6' x 18" tables

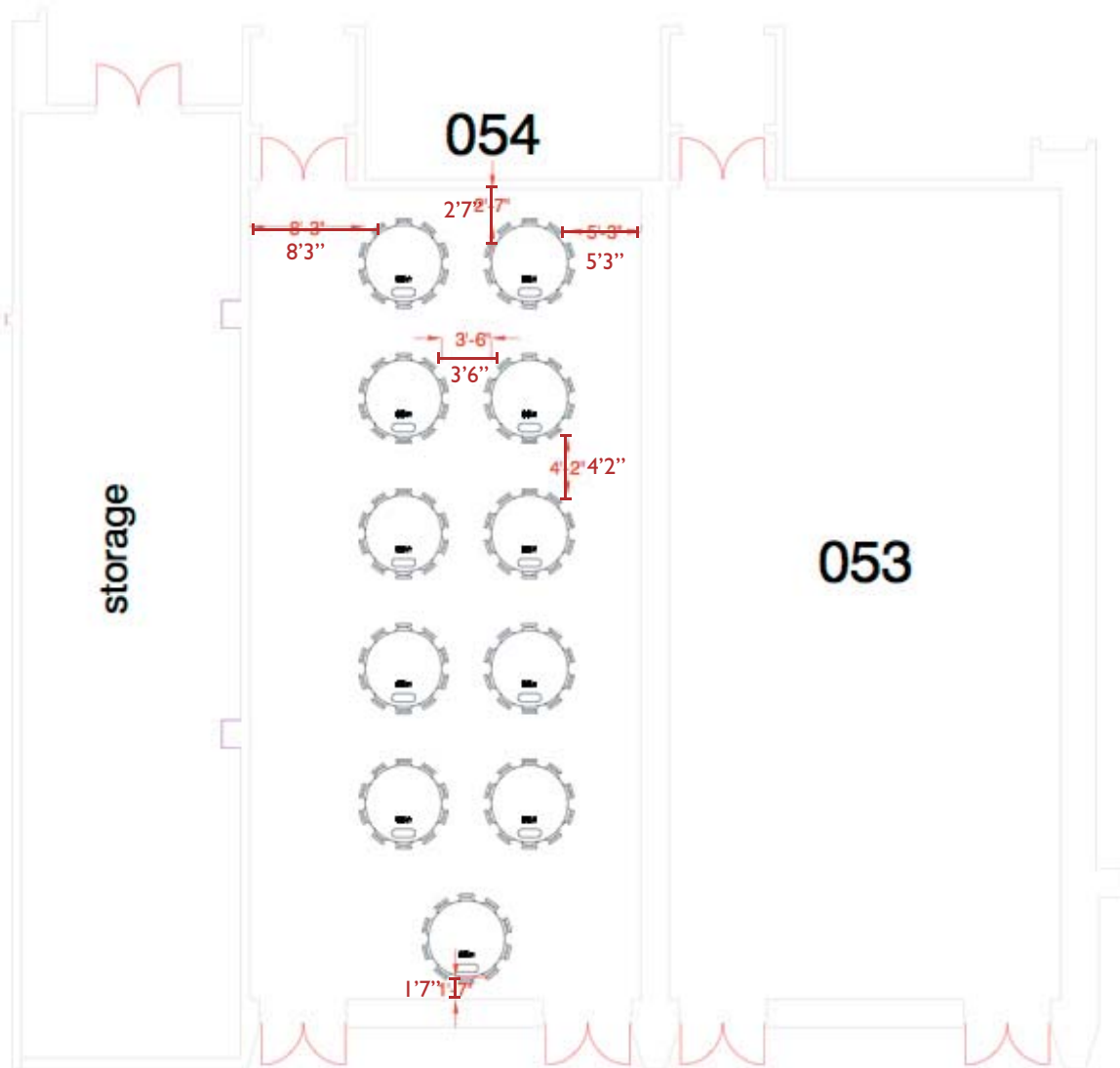


Location within the
Boston Convention & Exhibition Center

Southeast Pre-function



Service Corridor



Southeast Pre-function

Boston Convention & Exhibition Center ROOM 054

Banquet Seating: 110

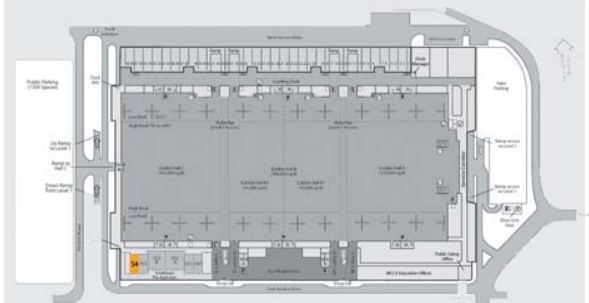
Length: 58'

Width: 28'

Area (sq ft): 1,624

Ceiling Height: 15'6"/18'

Tables: 11 rounds of 10



Location within the
Boston Convention & Exhibition Center

