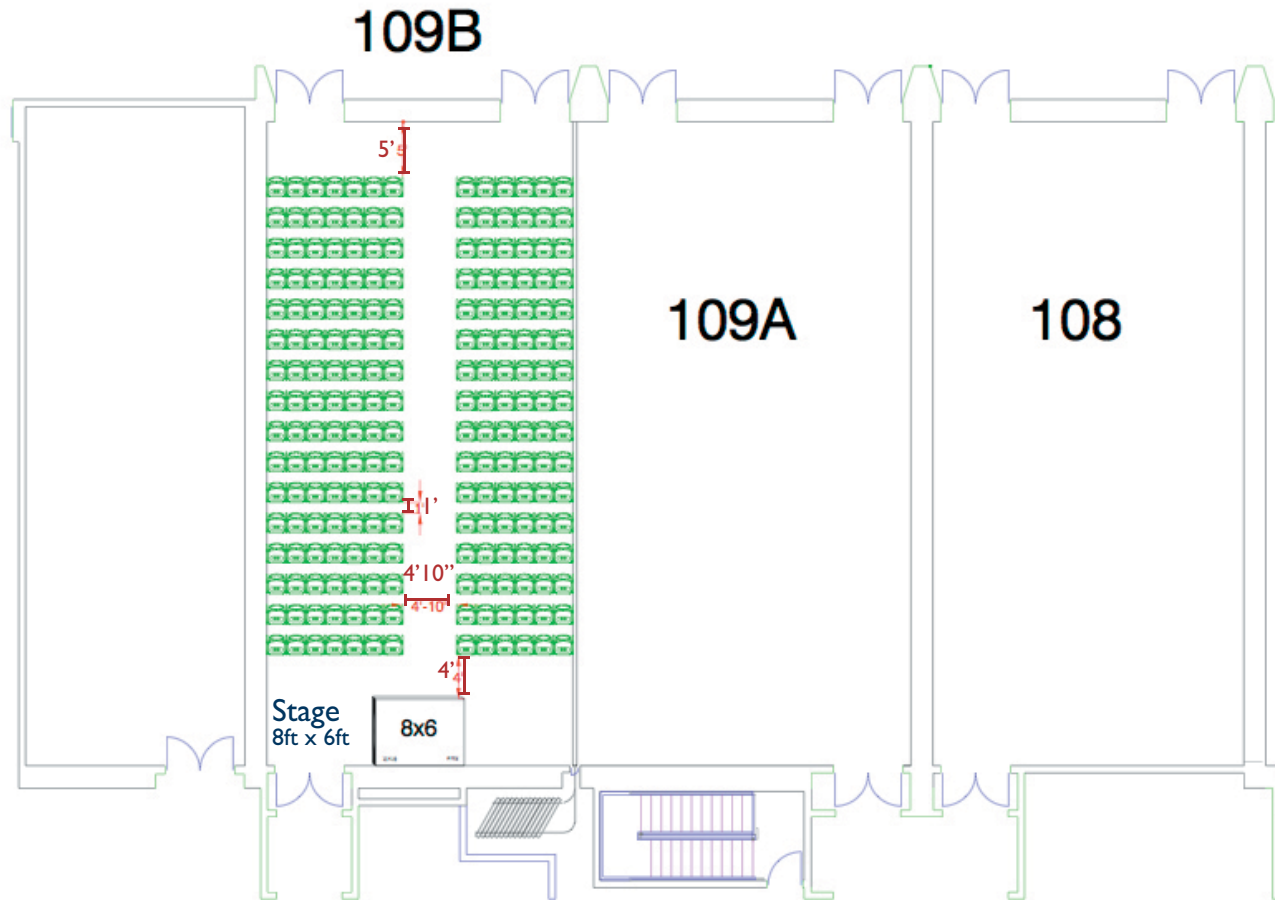


Boston Convention & Exhibition Center
ROOM 109B

Southwest Pre-function



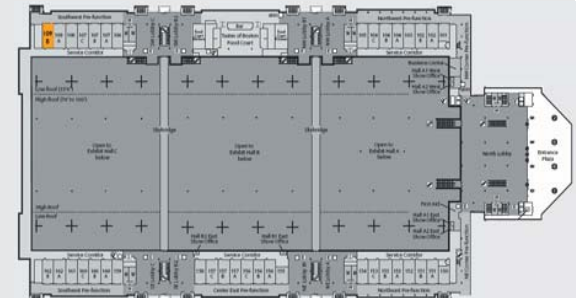
Theatre Seating: 208

Length: 58'

Width: 27'7"

Area (sq ft): 1,599

Ceiling Height: 16'6"/19'

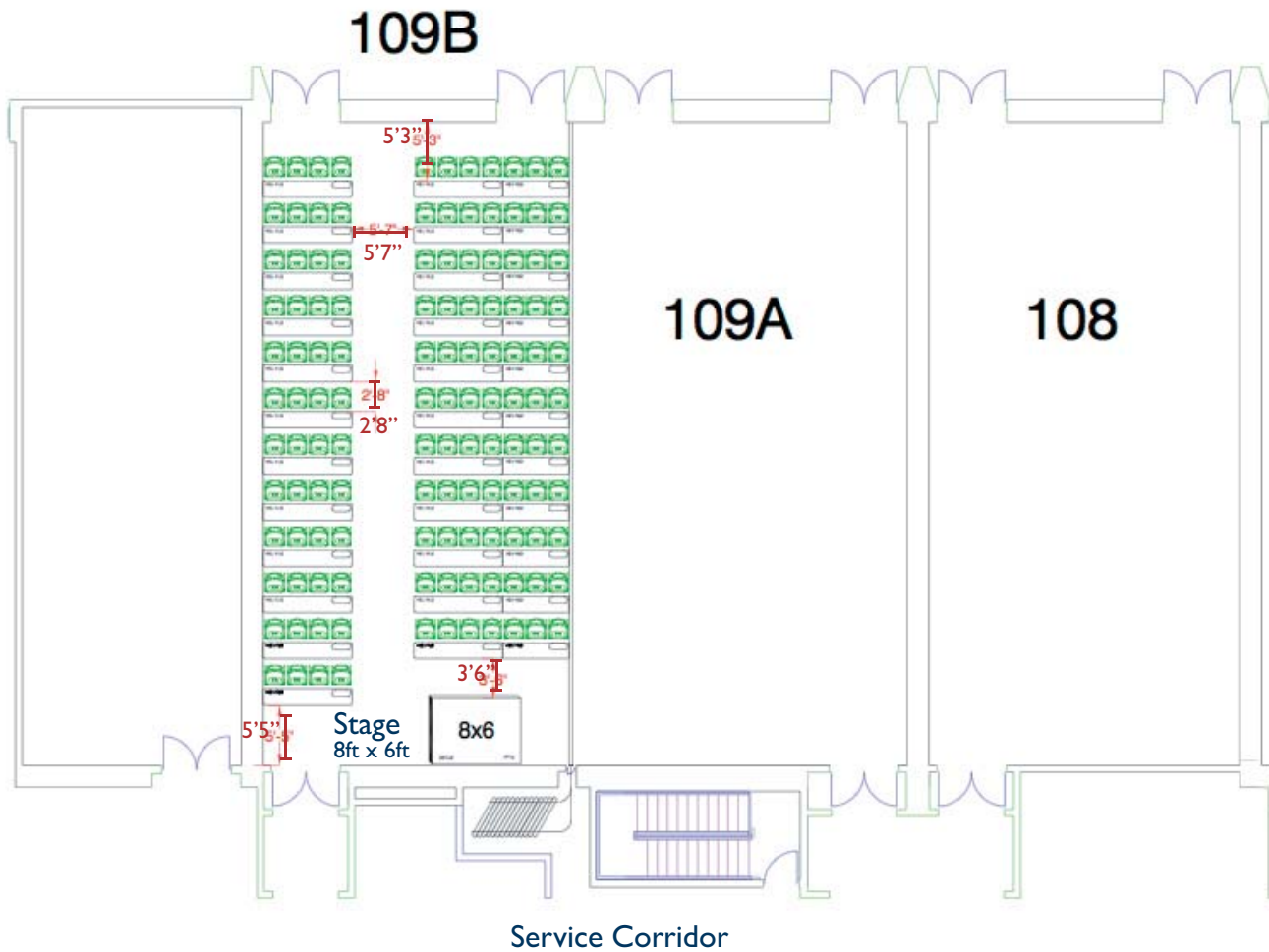


Location within the
Boston Convention & Exhibition Center



Boston Convention & Exhibition Center
ROOM 109B

Southwest Pre-function



Classroom Seating: 125

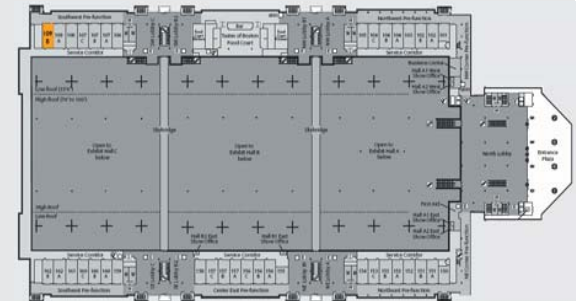
Length: 58'

Width: 27'7"

Area (sq ft): 1,599

Ceiling Height: 16'6"/19'

Tables: 11 6' x 18" and 23 8' x 18" tables

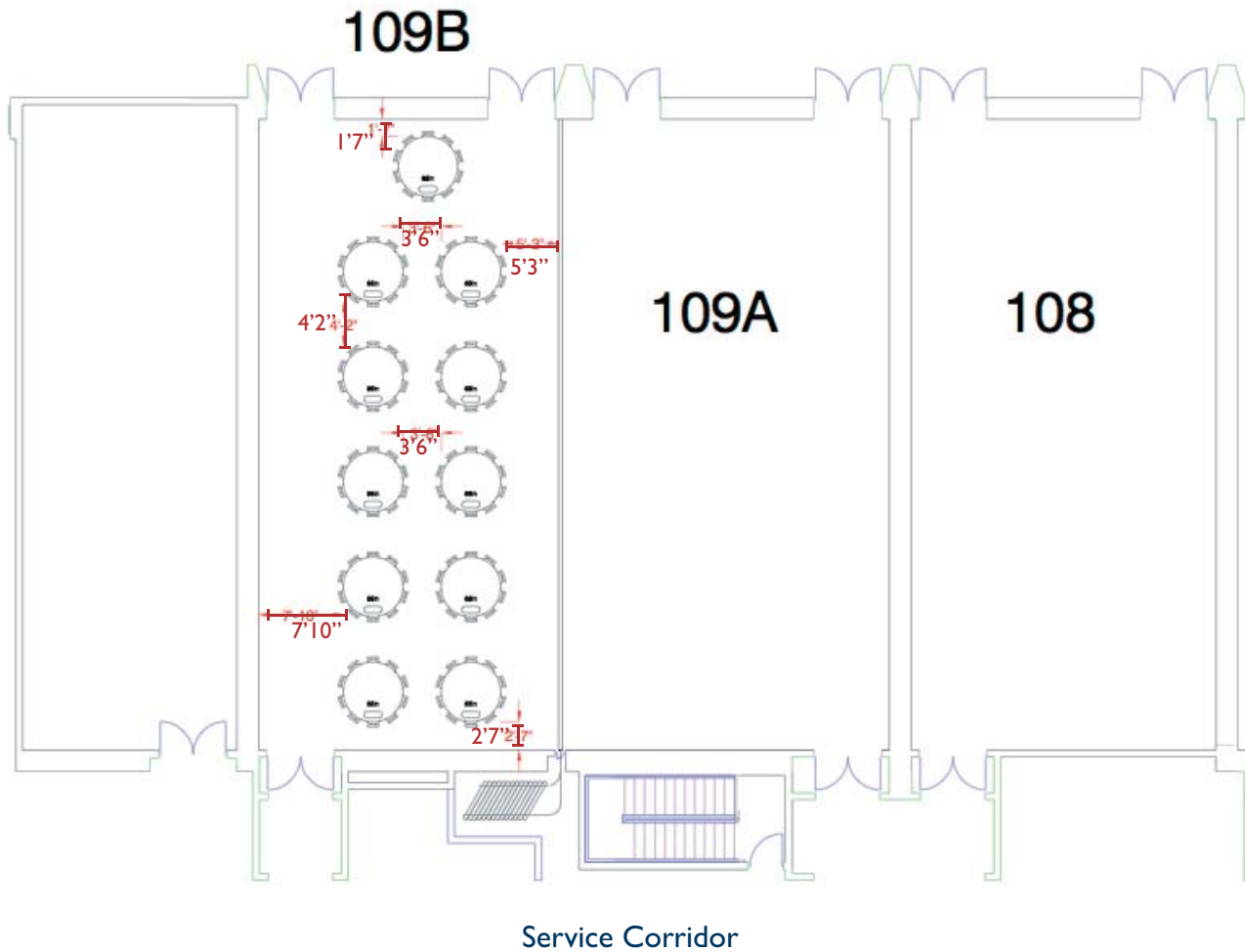


Location within the
Boston Convention & Exhibition Center



Boston Convention & Exhibition Center
ROOM 109B

Southwest Pre-function



Banquet Seating: 110

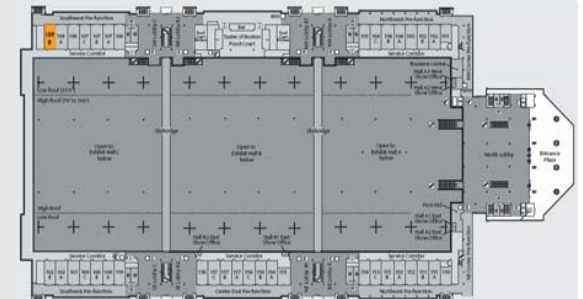
Length: 58'

Width: 27'7"

Area (sq ft): 1,599

Ceiling Height: 16'6"/19'

Tables: 11 rounds of 10



Location within the
 Boston Convention & Exhibition Center

