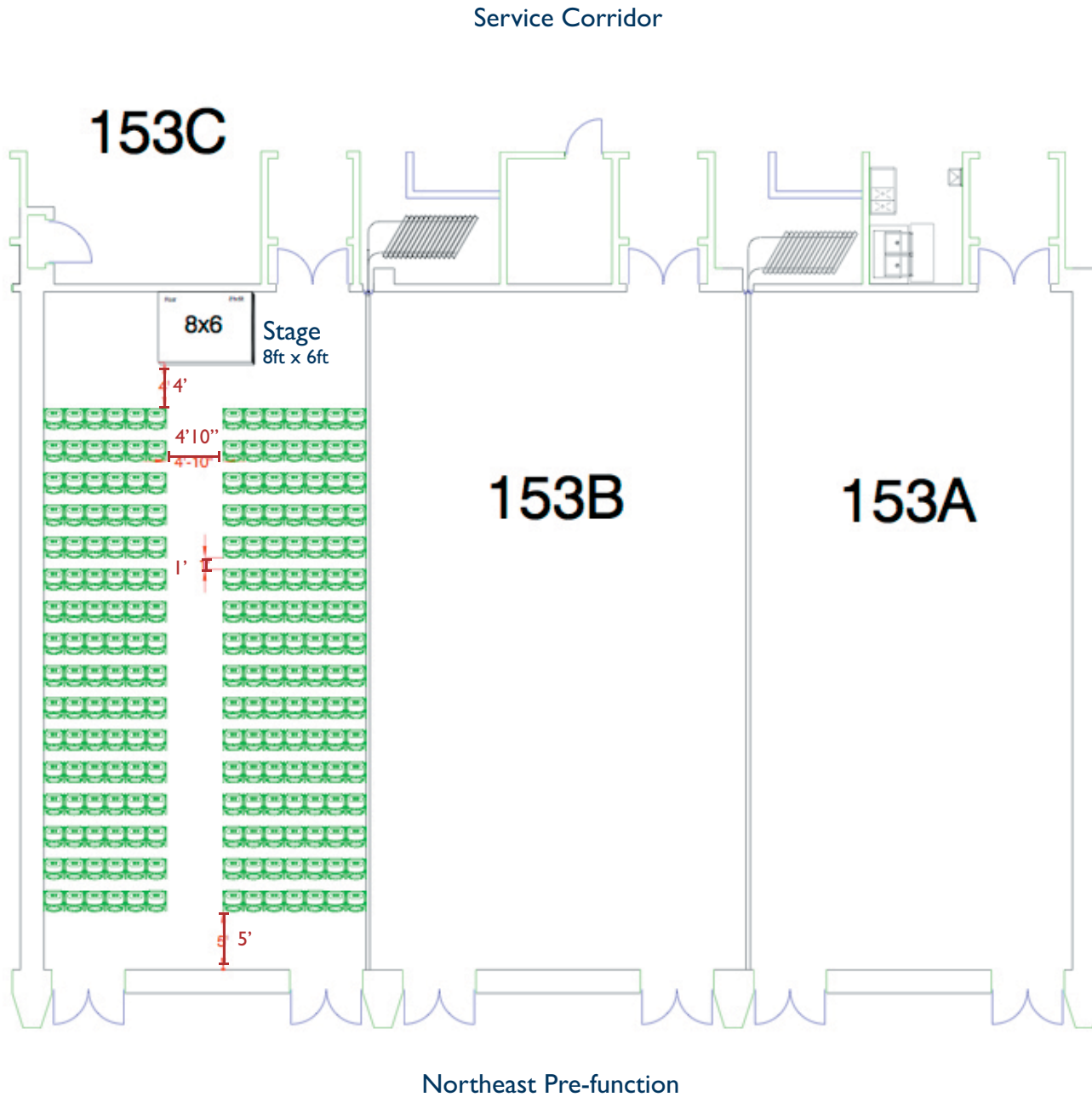


**Boston Convention & Exhibition Center**  
**ROOM 153C**



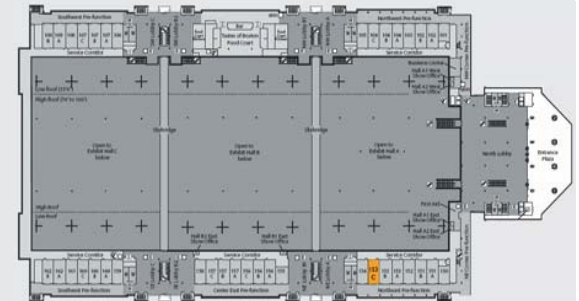
**Theatre Seating: 208**

**Length: 58'**

**Width: 27'7"**

**Area (sq ft): 1,599**

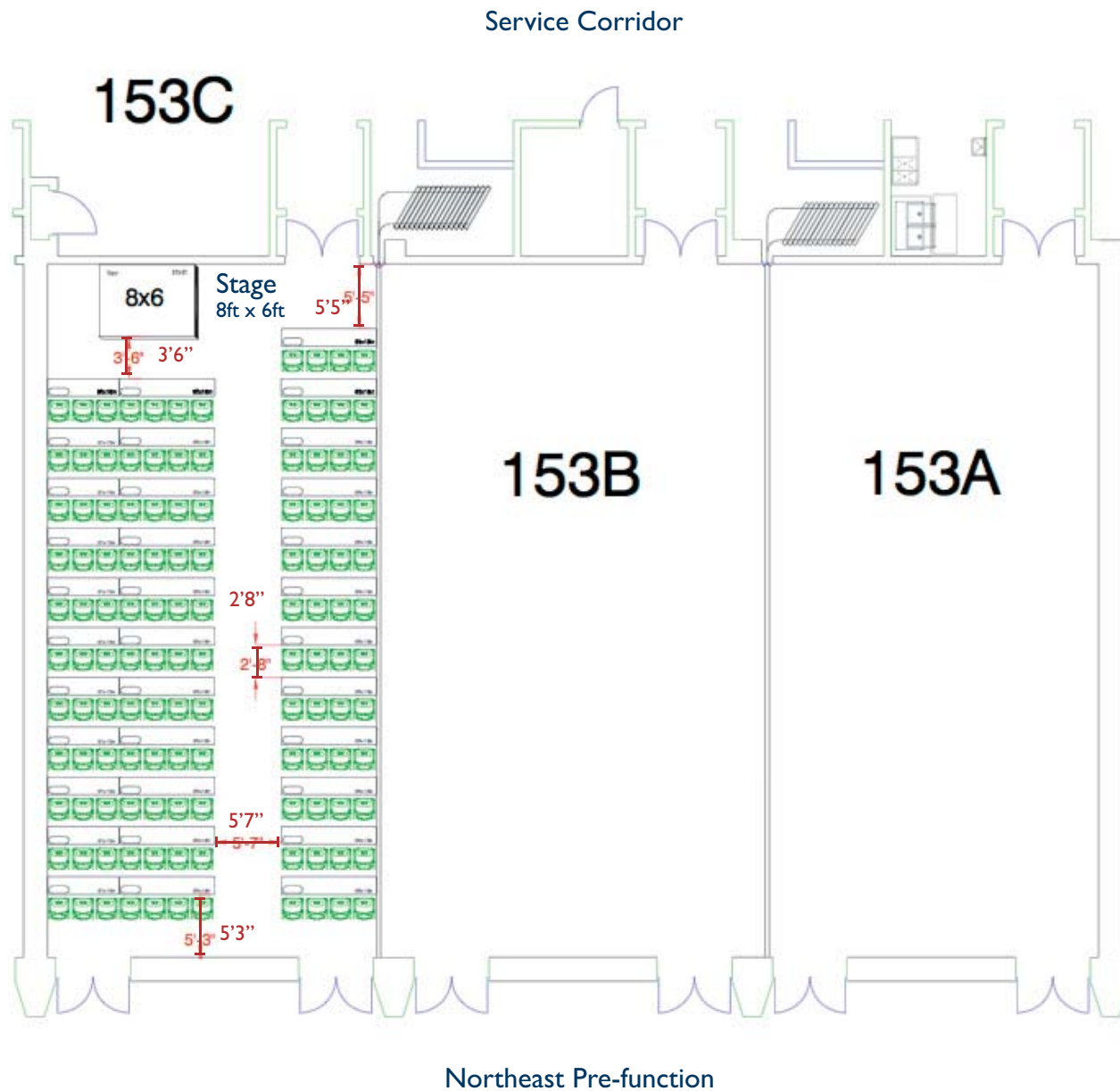
**Ceiling Height: 16'6"/19'**



Location within the  
 Boston Convention & Exhibition Center



**Boston Convention & Exhibition Center**  
**ROOM 153C**



**Classroom Seating: 125**

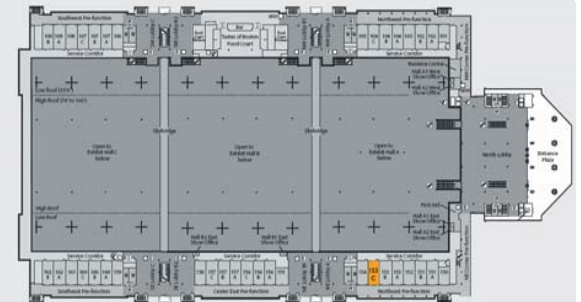
**Length: 58'**

**Width: 27'7"**

**Area (sq ft): 1,599**

**Ceiling Height: 16'6"/19'**

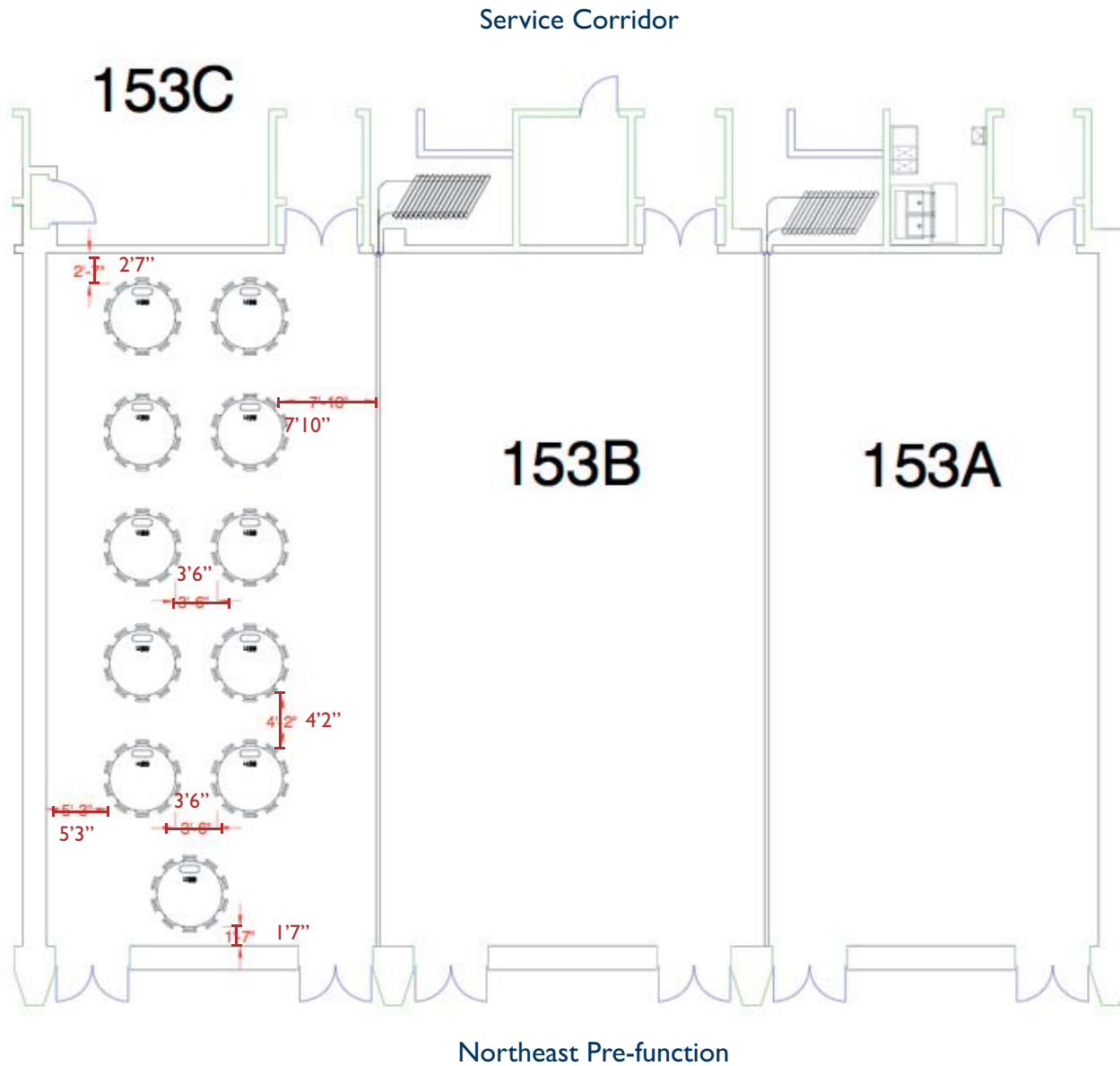
**Tables: 11 6' x 18" and 23 8' x 18"**



Location within the  
 Boston Convention & Exhibition Center



**Boston Convention & Exhibition Center**  
**ROOM 153C**



**Banquet Seating: 110**

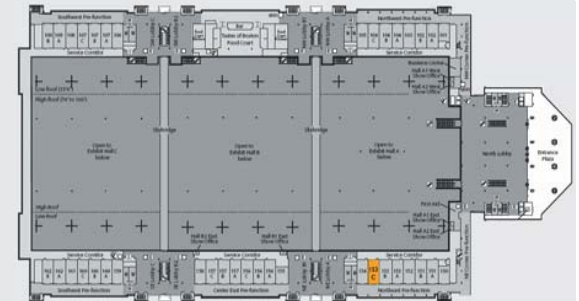
**Length: 58'**

**Width: 27'7"**

**Area (sq ft): 1,599**

**Ceiling Height: 16'6"/19'**

**Tables: 11 rounds of 10**



Location within the  
 Boston Convention & Exhibition Center

