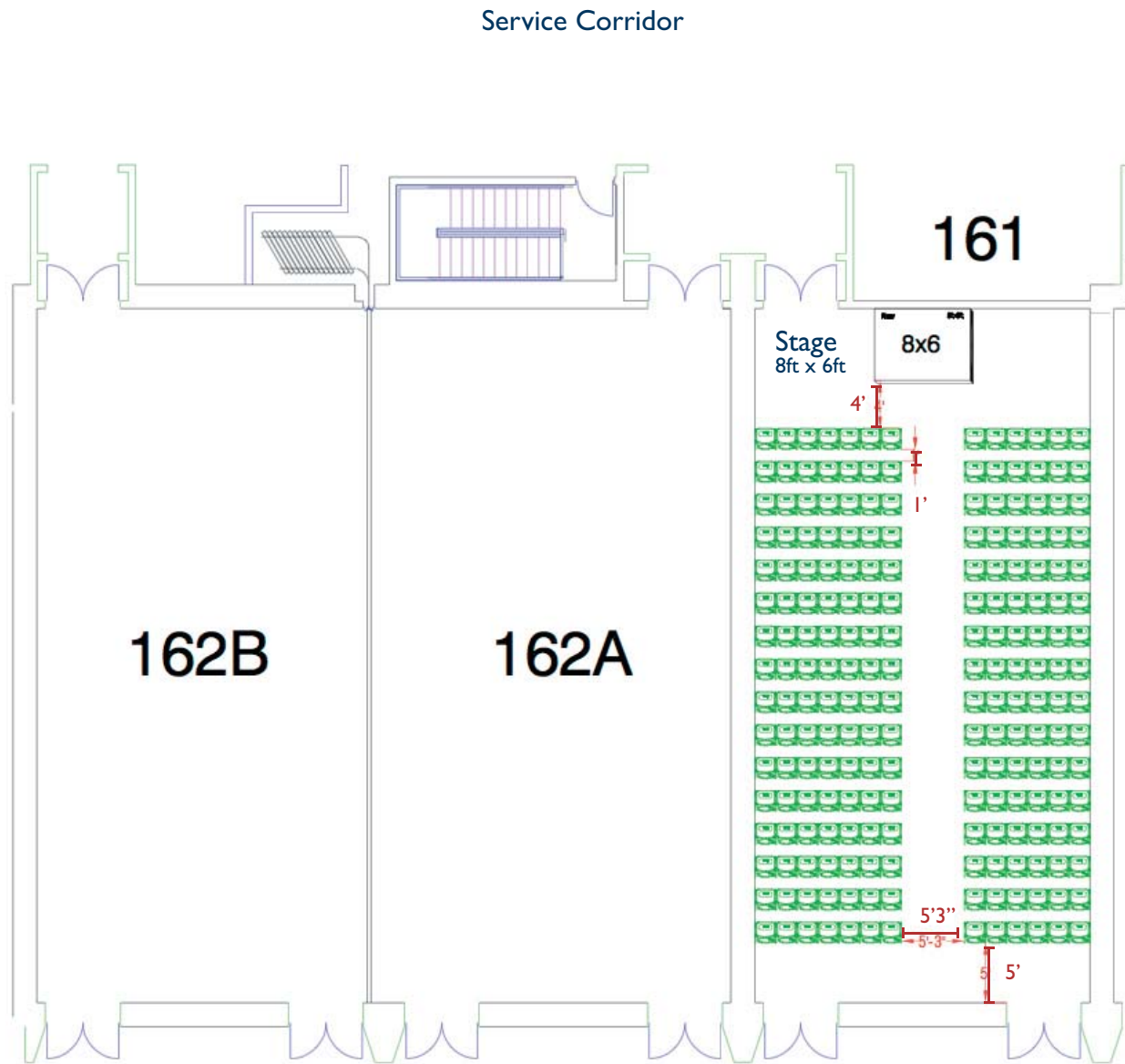


Boston Convention & Exhibition Center
ROOM 161



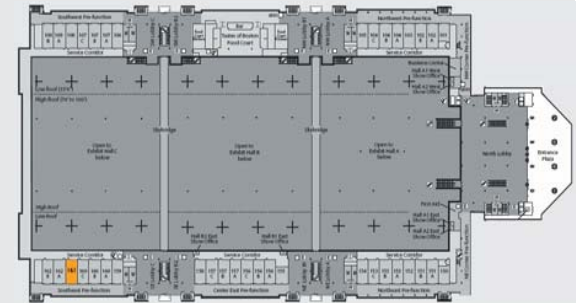
Theatre Seating: 208

Length: 58'

Width: 28'

Area (sq ft): 1,624

Ceiling Height: 16'6"/19'

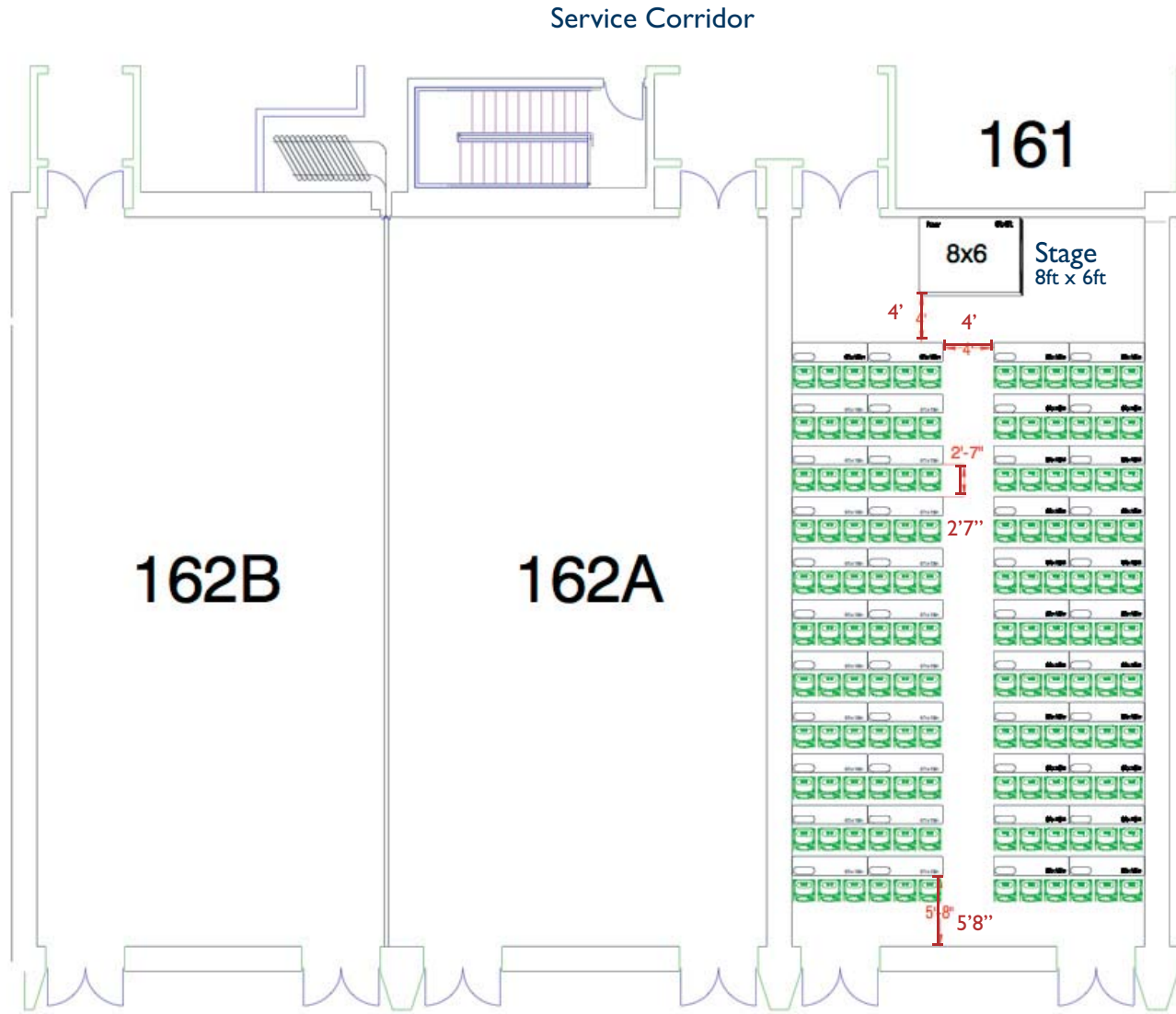


Location within the
Boston Convention & Exhibition Center

Southeast Pre-function



Boston Convention & Exhibition Center
ROOM 161



Classroom Seating: 132

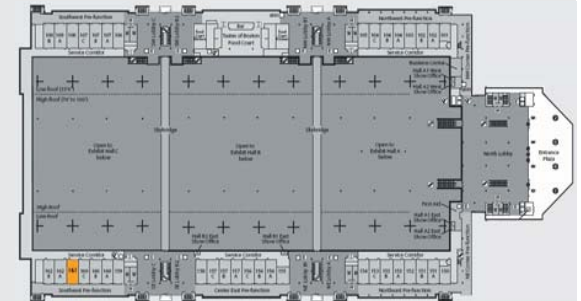
Length: 58'

Width: 28'

Area (sq ft): 1,624

Ceiling Height: 16'6"/>19'

Tables: 44 6' x 18" tables



Location within the
Boston Convention & Exhibition Center



Boston Convention & Exhibition Center
ROOM 161

Banquet Seating: 110

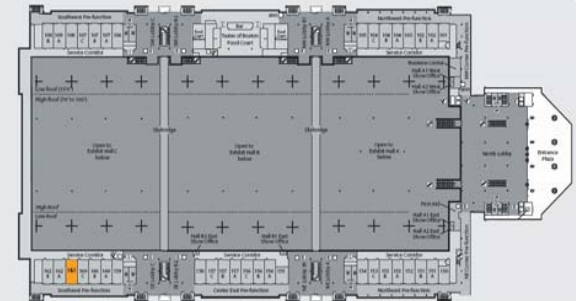
Length: 58'

Width: 28'

Area (sq ft): 1,624

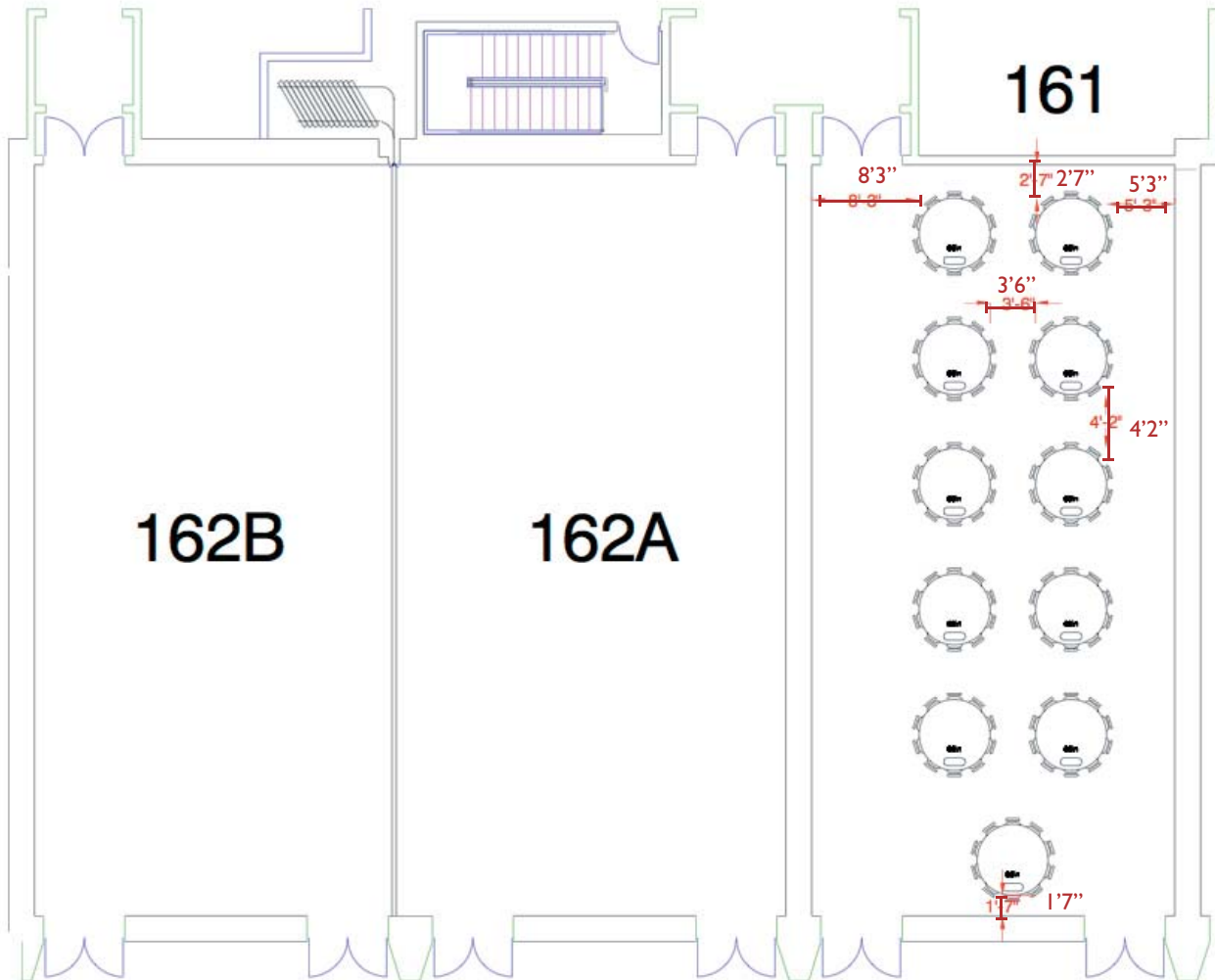
Ceiling Height: 16'6"/19'

Tables: 11 rounds of 10



Location within the
 Boston Convention & Exhibition Center

Service Corridor



Southeast Pre-function

